

K150M

Trituratori industriali
Industrial shredders

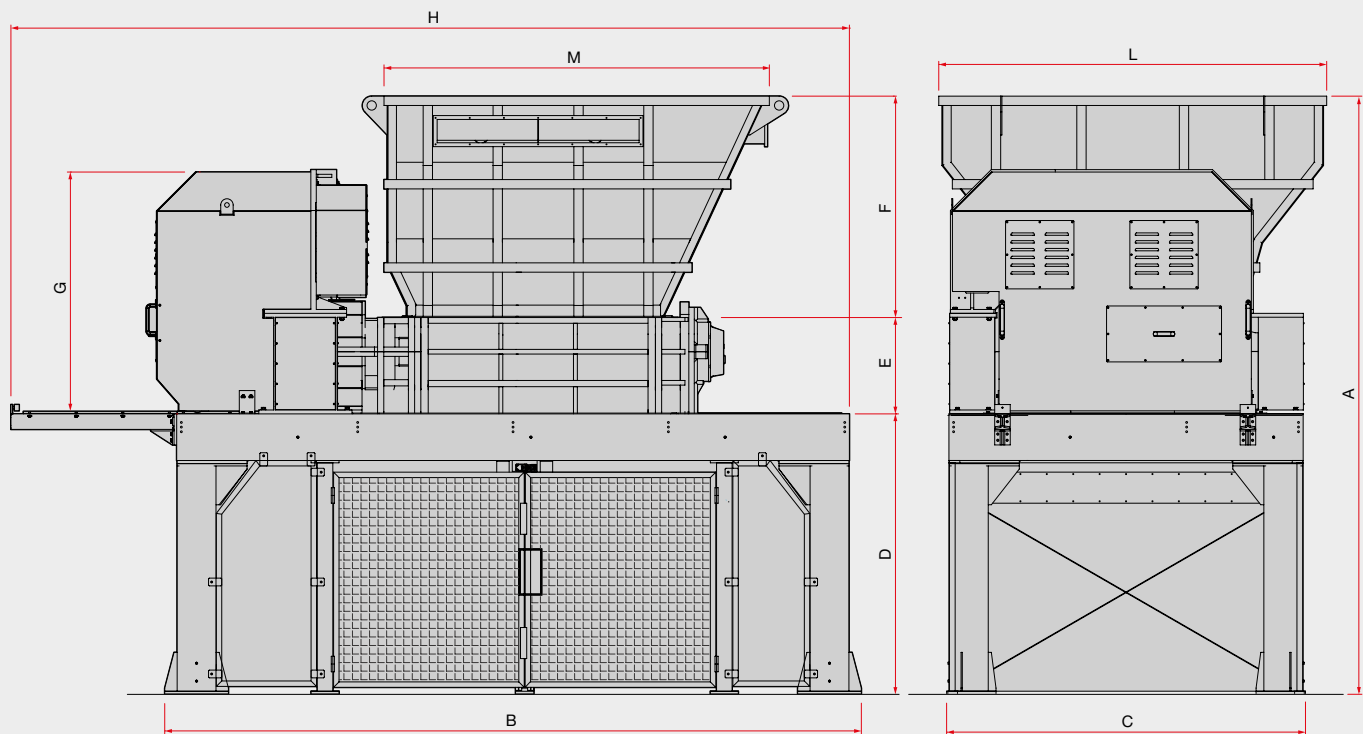


2 alberi / Azionamento elettrico
2 shaft / Electric drive

110 kW

K150M

Made in Italy 



Dimensioni - Dimensions

Modello Model	A mm	B mm	C mm	D mm	E mm	F mm	G mm	H mm	L mm	M mm
K15/150M	3845	4485	2310	1800	620	1425	1560	5400	2500	2480
K20/150M	3845	4985	2310	1800	620	1425	1560	5900	2500	2980

Dati tecnici - Technical data

Modello Model	Camera di lavoro Shredding chamber	Spessore lame Blades thickness	Potenza Power	Peso Weight
K15/150M	1510x1100 mm	75 mm	110 kW	18300 kg
K20/150M	2010x1100 mm	75 mm	110 kW	20300 kg

Applicazioni - Applications

	Rifiuti industriali Industrial scraps/waste	7-12
	Pneumatici Tyres	8-15
	Rifiuti solidi urbani Municipal solid waste	20-40
	Fusti di metallo Metal drums	240 pcs/h
	Rifiuti ingombranti Bulky waste	6-7
Materiale - Material		t/h