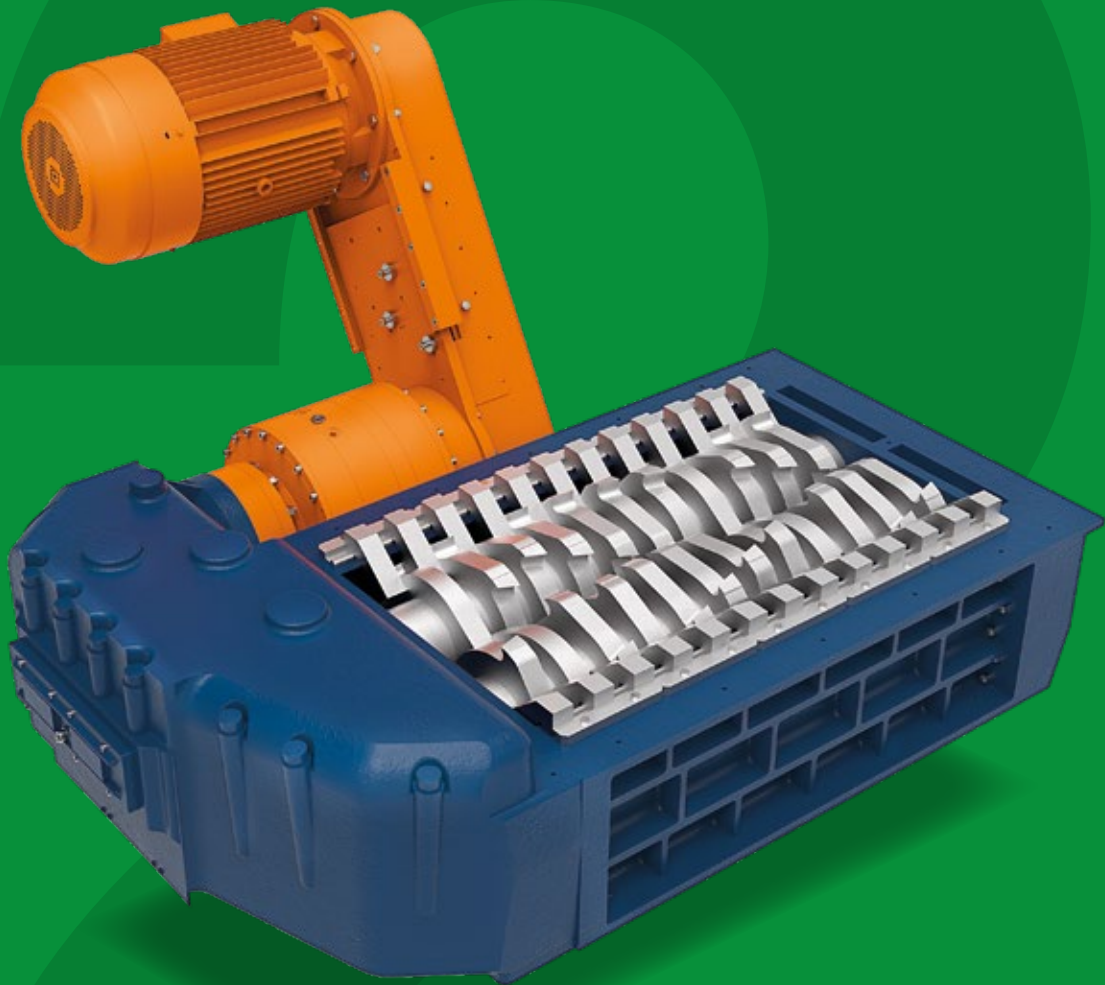


K60M

Trituratori industriali
Industrial shredders



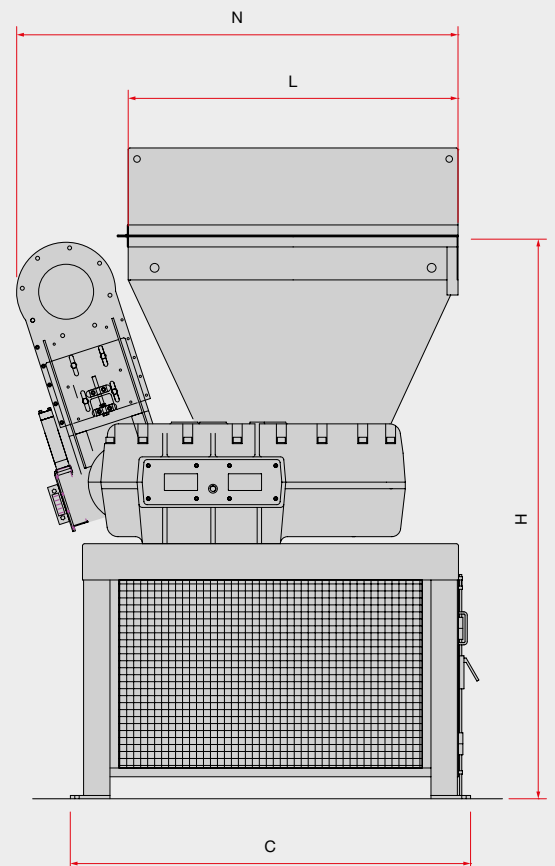
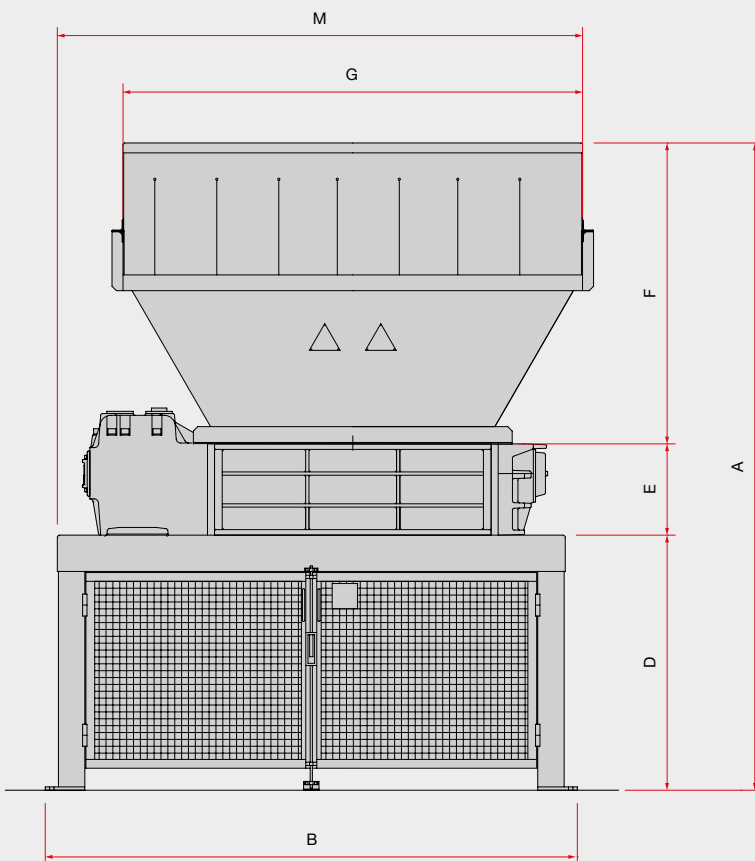
2 alberi / Azionamento elettrico

2 shaft / Electric drive

45 kW

K60M

Made in Italy 








Dimensioni - Dimensions

Modello Model	A mm	B mm	C mm	D mm	E mm	F mm	G mm	H mm	L mm	M mm	N mm
K8/60M	2945	2070	1820	1160	415	1370	1590	2545	1500	2140	2010
K10/60M	2945	2170	1820	1160	415	1370	1840	2545	1500	2365	2010
K13/60M	2945	2420	1820	1160	415	1370	2090	2545	1500	2390	2010

Dati tecnici - Technical data

Modello Model	Camera di lavoro Shredding chamber	Spessore lame Blades thickness	Potenza Power	Peso Weight
K8/60M	758x850 mm	30 - 50 mm	45 kW	4800 kg
K10/60M	1008x850 mm	30 - 50 mm	45 kW	5240 kg
K13/60M	1258x850 mm	30 - 50 mm	45 kW	5760 kg

Applicazioni - Applications

 Plastica Plastics	1000-2400
 Rifiuti industriali Industrial scraps/waste	1200-4000
 Pneumatici auto Car tyres	3000-4000
 Rifiuti solidi urbani Municipal solid waste	1200-4000
 Fusti di metallo Metal drums	70-120 pcs/h
Materiale - Material	kg/h